

# TOGGLE SWITCHES



## Series 20 - Special Custom Built Switches

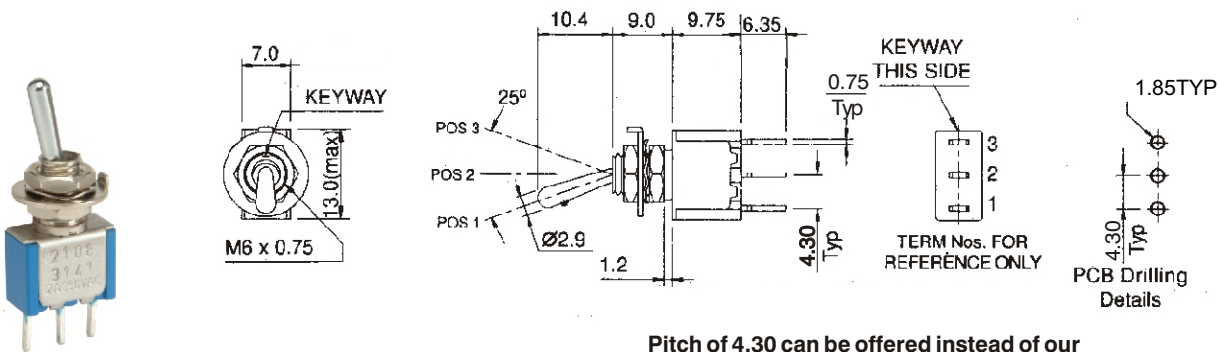
### DESCRIPTION :

In Series 20 Toggle Switches, modifications are possible to meet customer's special requirements.

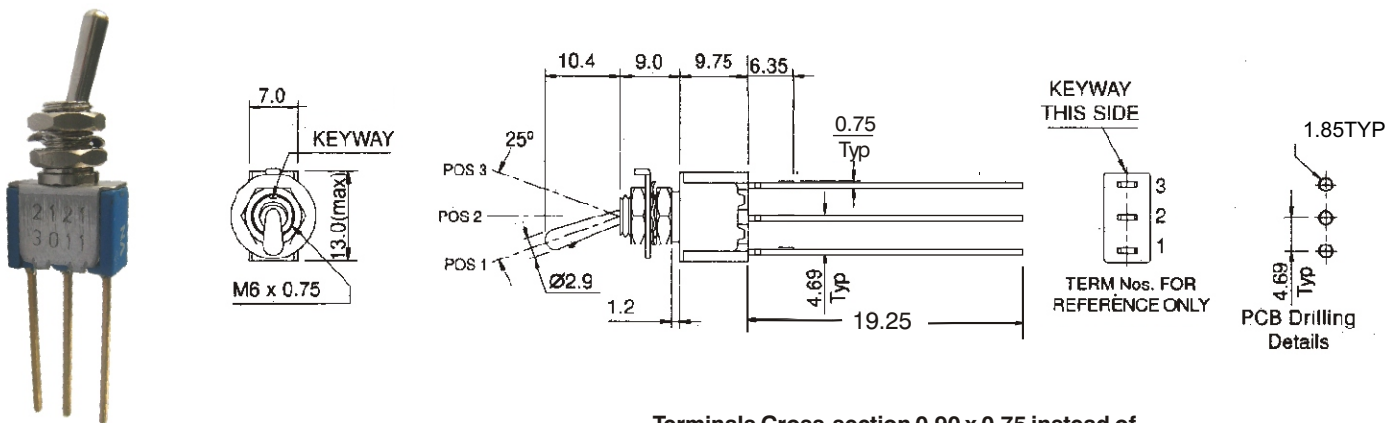
A very large number of variations are possible in our standard line of switches due to a wide selection possible in choosing the number of poles, switching function, contact selection, actuator and mounting selection.

However sometimes there may be a customer requirement which is not met by any one of the innumerable combination. In such cases Integral can develop samples as per the customer's drawings. Due to employment of modern production techniques even small number of samples can be made to exact dimension.

### For Example :



Pitch of 4.30 can be offered instead of our standard 4.69 mm.



Terminals Cross-section 0.90 x 0.75 instead of standard 1.27 x 0.75 can be offered.

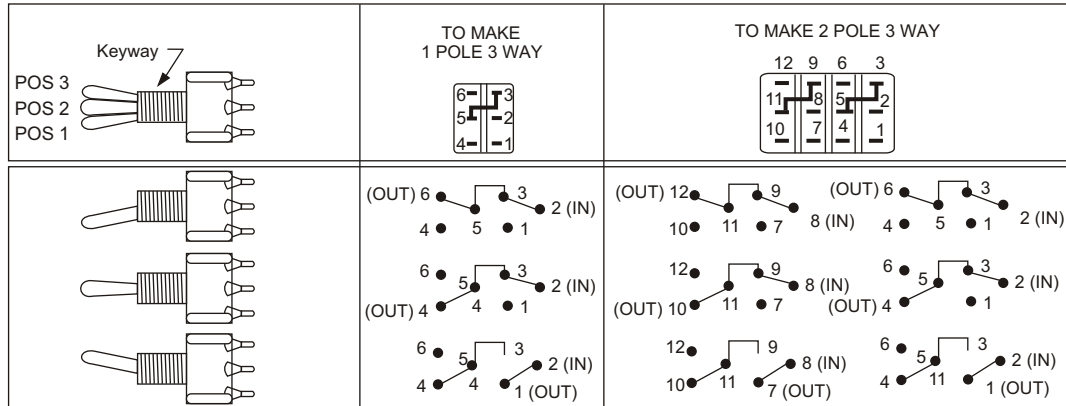
The factory can be contacted for special switches with specifications/drawings/samples, if available. Counter samples will be offered at the earliest.

All Dimensions in mm.

## Series 20 Special Switching Functions

On our Standard 20 Series Toggle Switches, IP-3 Position and 2P-3 Position Toggle Switch with ON-ON-ON Switch Functions may be externally wired for 3 Way Function (See Wiring Design and Schematics given below)

Note : External Jumpers to be added by customer wiring for 3 Way Switches



ORDER CODE	POSITION 1	POSITION 2	POSITION 3
4	ON	ON	MOM
6	MOM	ON	MOM
9	ON	ON	ON

ORDER CODE	SWITCHING FUNCTION	CONNECTED TERMINALS					
		POSITION 1		POSITION 2		POSITION 3	
2	1P 3 WAY	2-3	5-6	2-3	5-4	2-1	5-4
4	2P 3 WAY	2-3	5-6	2-3	5-4	2-1	5-4
		8-9	11-12	8-9	11-10	8-7	11-10

