

ROTARY SWITCHES



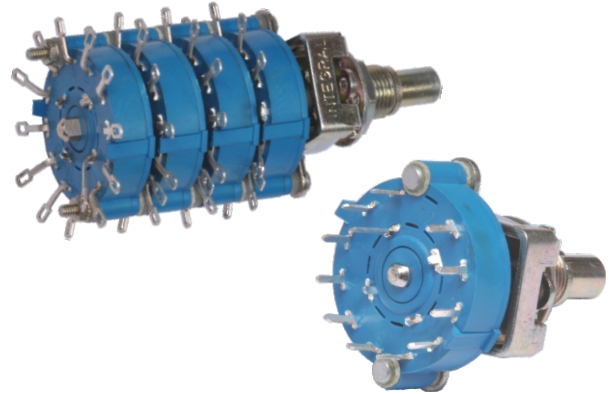
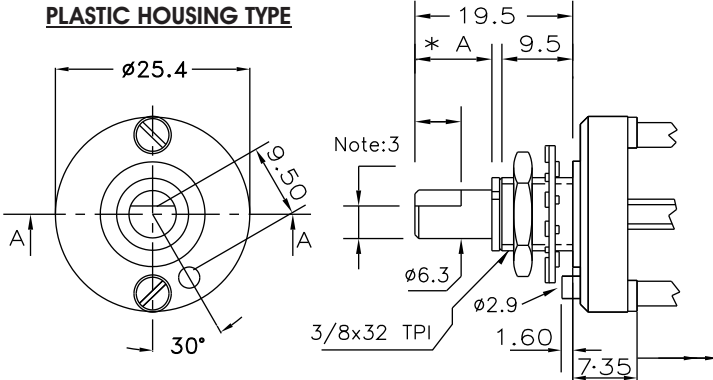
Series 93

DESCRIPTION

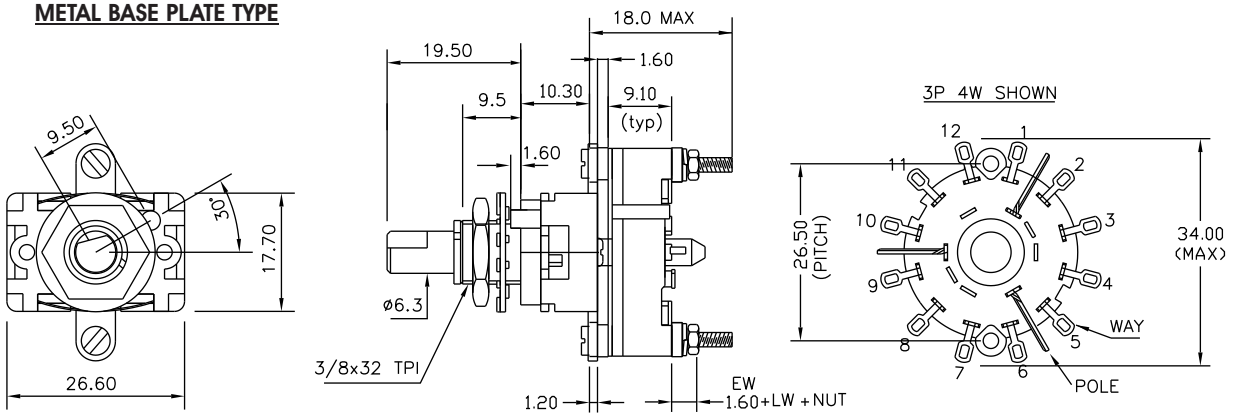
Integral Series 93 is a Miniature Rotary Switch of 26.5 mm Dia offering premium quality at economical price. These are totally enclosed switches offering the most popular combination as encountered in modern electronic circuits. Uniform, positive indexing is provided by 2 balls housed in a sheet metal base plate or Engineering Plastic Housing & with a ground metal shaft of 6.3 mm.



DIMENSIONAL DETAILS

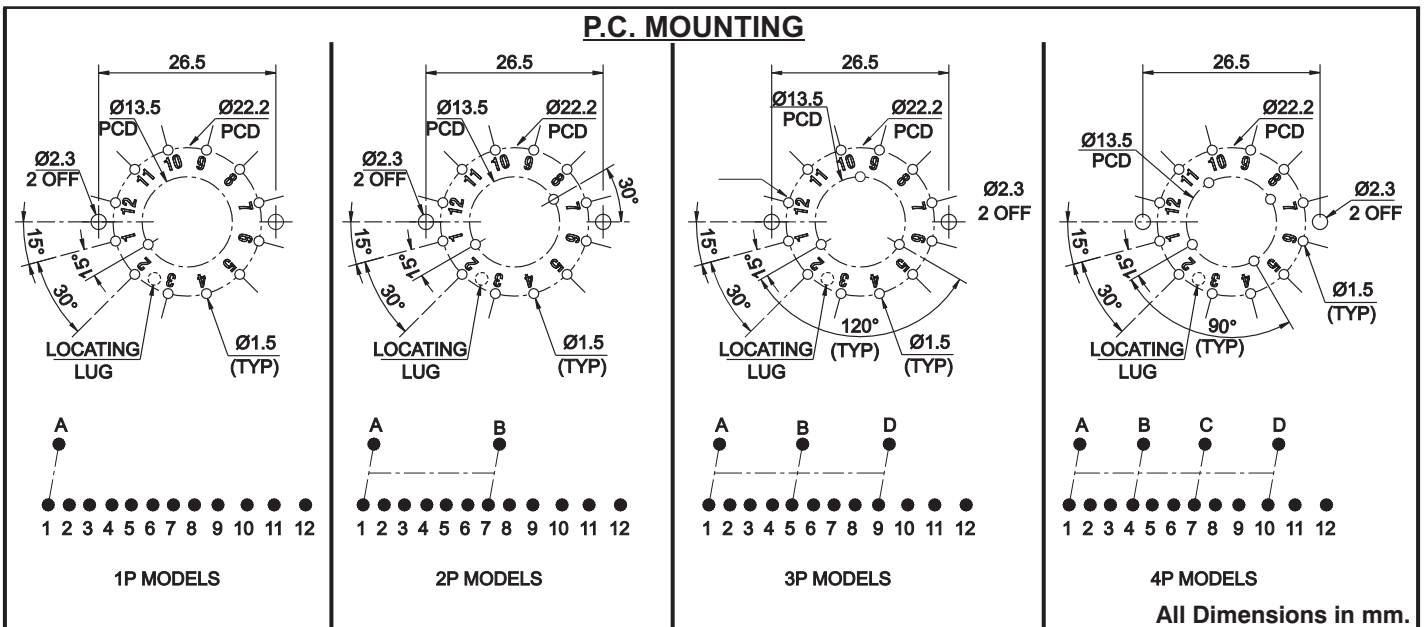


METAL BASE PLATE TYPE



Note:- 1. Typical view of single wafer switch, 2. Multipal wafer possible, 3. Flat if required in shaft, place specify.

P.C. MOUNTING



ELECTRICAL SPECIFICATIONS

CONTACT RATING	: 1.5A @ 125 V AC or 28 V DC 150 mA @ 230 V AC or DC
CONTINUOUS CURRENT	: 5A
LIFE	: More than 20,000 cycles on full load
CONTACT RESISTANCE	: Less than 20 milliohms measured at 2-6 V DC 100 mA initial
INSULATION	: > 1000 Megohms
VOLTAGE PROOF	: min. 1000 V AC
OPERATING TEMP.	: -30°C to +70°C
INDEXING ANGLE	: 30° / 60° / 90°

MATERIALS & FINISHES

BODY/COVER	: Glass filled PBT (UL approved)
INDEX MECHANISM	: Spring loaded twin-ball housed In Plastic/Sheet Metal. Zn. plated And Yellow Passivated.
CONTACTS	: Copper Alloy, Silver Plated.
SHAFT	: ENIA Steel Rod Dia 6.3 mm
HARDWARE	: Brass / Steel Zn. yellow Plated

NOTE : Each wafer can accommodate (30°).
 1P 2W to 12W
 2P 2W to 6W
 3P 2W to 4W
 4P 2W to 3W
 6P 2W

HOW TO ORDER

1. For standard switch by describing as given below.
2. For special assembly use layout or send drawings.

