

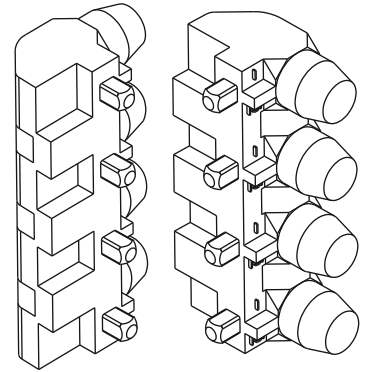
LIGHT PIPES



DESCRIPTION

Integral Series Light Pipes, Fit in directly on PCB, transmit light to another viewing area such as front panel display. These light tubes take complex shapes that used gentle curving bends or sharp prismatic folds. Because there is no physical connection between the light pipe and PCB mounted LED, it can be mounted or removed without disturbing the panel display.

Light transmission efficiency is greatest if tube is short. In longer and angled tubes, part of light intensity is lost. To minimize losses, high reflectivity of tube lining are used.



APPLICATION :

Using light Pipe, Illumination can be directed up and away from PCB by several inches, whenever required, to front display panel. Precision engineered for light optically precise uniform indication and appearance.

VERSATILITY :

Compatible with surface mount standard LED packages.

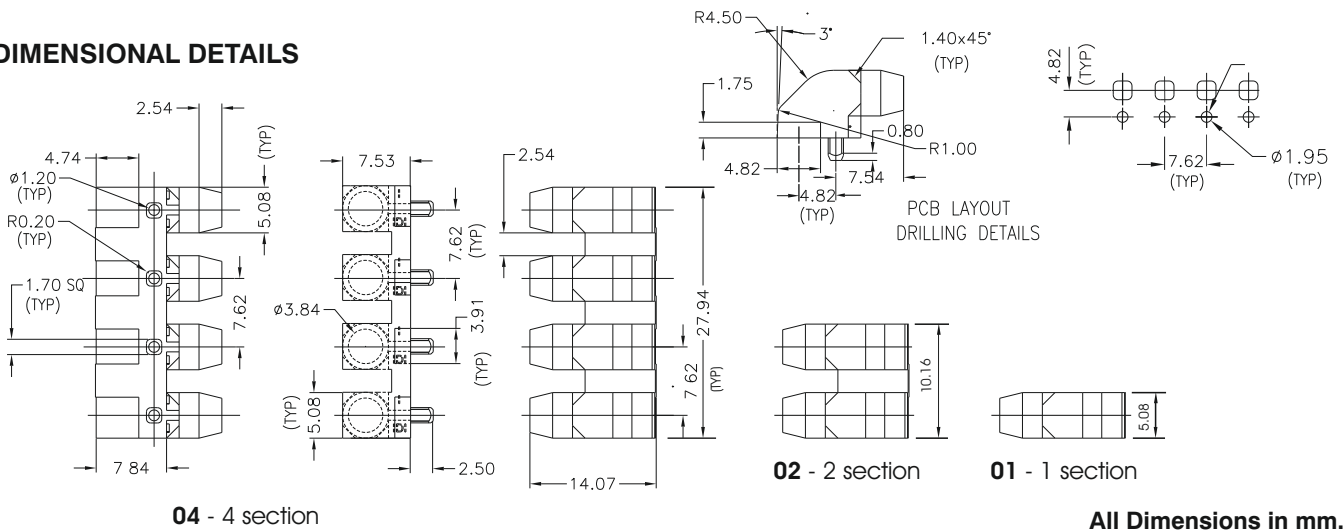
INSTALLATION : PCB mountable with LED positioned at end of Light Pipe.

TECHNICAL SPECIFICATION : **Material :** Polycarbonate (Optical Grade) UL94V-0 Compliant.

TEMPERATURE RANGE : -40⁰ C to + 100⁰ C



DIMENSIONAL DETAILS



	INTEGRAL	LIGHT PIPE	MATERIAL	No. OF SECTION
			01 - Polycarbonate	01 - 1 section
			02 - Others *	02 - 2 section
ORDERING CODE	I N	L P		04 - 4 section

Note: * Pl. Contact Factory for Colour and shape options.



INTEGRAL SYSTEMS AND COMPONENTS PRIVATE LIMITED

D-388/1, 1st Block, 1st Stage, Peenya Industrial Estate, Bangalore - 560 058, India

Telefax: (080) 2839 1707 / 2839 1708 / 2839 1709 / 2839 1710

An ISO 9001:2008 Company Website: www.integralsys.in **E-mail:** inty.systems@gmail.com / sales@integralsys.in