

KEY SWITCHES

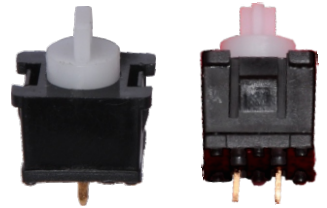


Series IK 9

DESCRIPTION :

Integral Key Switch Type IK-9 satisfies the user requirement for a low profile, high quality switch with a smooth tactile feel. The gold plated contact travels and makes contact with 2 more gold plated Stator Contacts.

No special materials are used and regular compression spring is used. The contact is highly reliable and has long life. Mounting is done by clicking the switch in to a rectangular slot 12.0x13.2 mm or directly mounting on a PCB.



SPECIFICATIONS

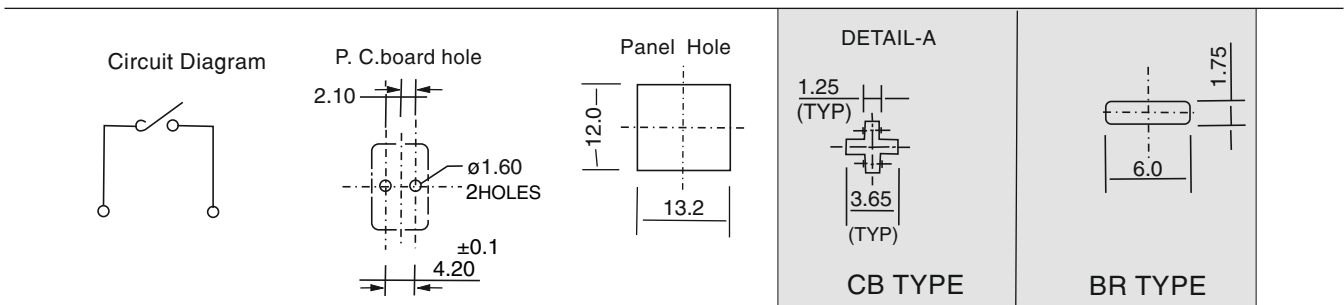
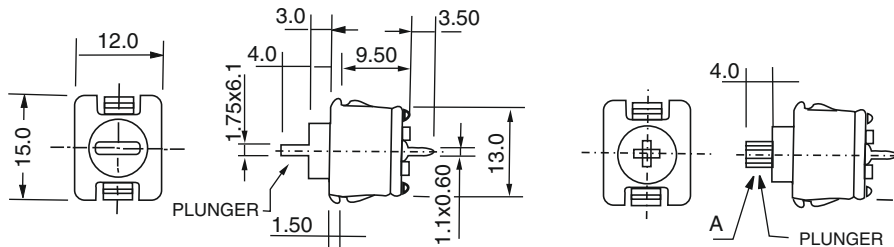
CONTACT RATING	: 0.1 amp @ 30 Volts DC
CONTACT RESISTANCE	: < 30 milli ohms
INSULATION RESISTANCE	: > 100 mega ohms (DC 500 V megger) initial
VOLTAGE PROOF	: 250 V AC (applied for 1 minute)
BOUNCE TIME	: With resistance load of DC 15 V X 30 Kilo ohms 5 ms or less in ON : 10 ms or less in OFF
OPERATION LIFE	: 300,000 Cycles
TOTAL TRAVEL	: 3.0 max.
PRE TRAVEL	: 1.3 ± 0.3
ACTUATING FORCE	: 70 gms ± 30 gms



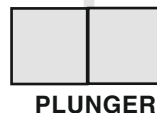
MATERIALS & FINISHES

BODY & PLUNGER	: PC / Acetal as required
BASE	: Thermoset material
STATOR & MOVING CONTACTS	: Copper alloy hard Gold Plate Over Nickel barrier
SPRING	: Stainless Steel Wire

DIMENSIONAL DETAILS

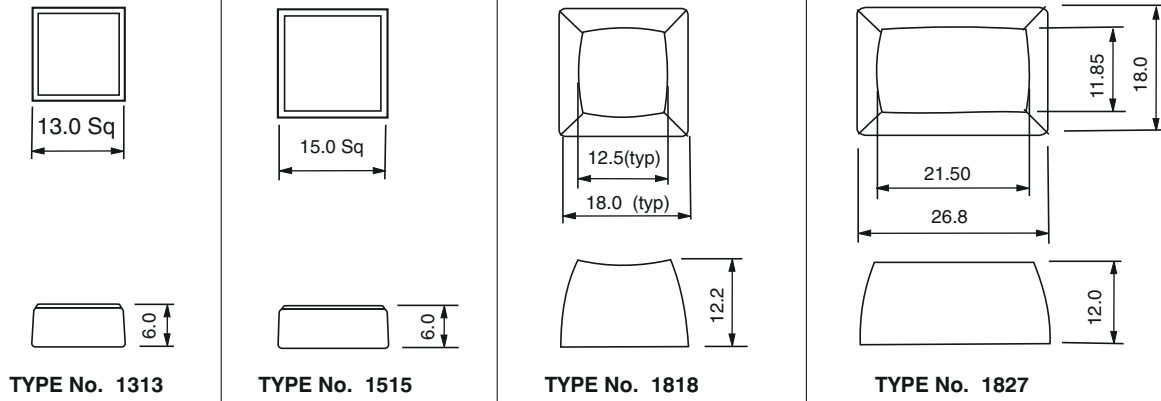


ORDERING CODE **IK 9**



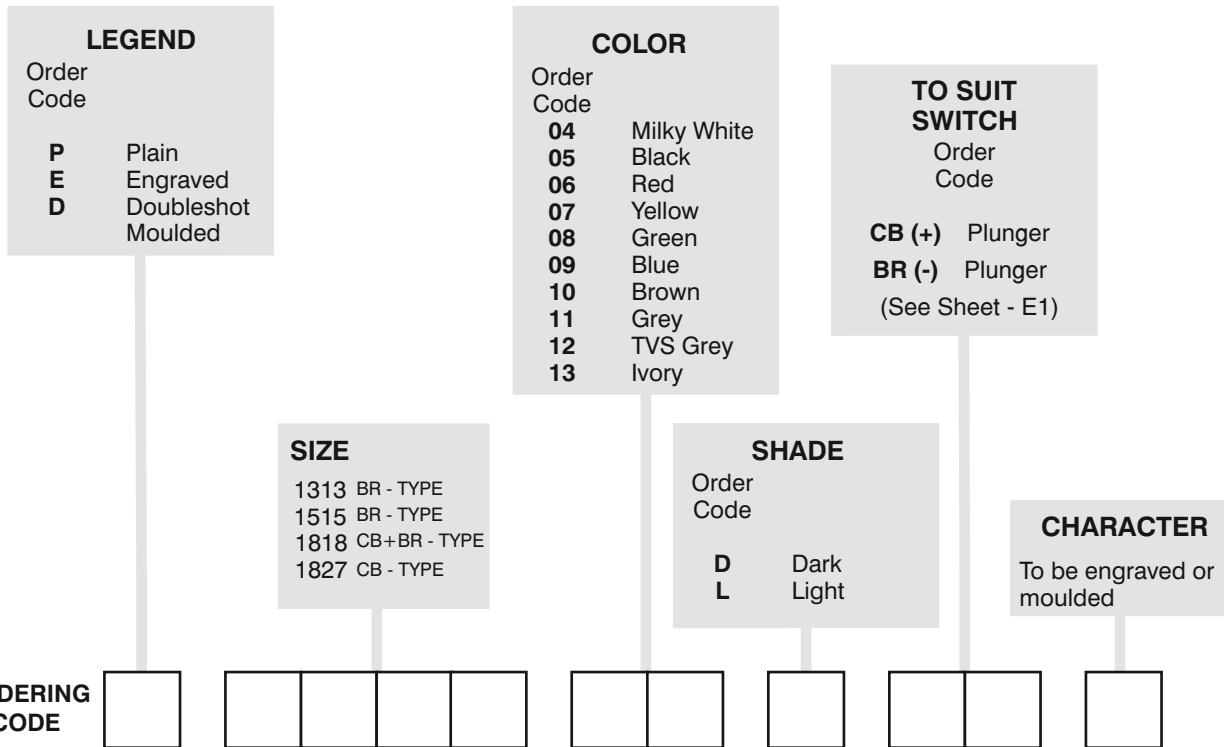
All Dimensions in mm.

KEY TOPS - SIZES / TYPES



C DOT APPROVED TYPE :

Description	Size	C. DOT Part No	Integral Part No.
I) 0 to 9 Double Shot Moulded	18 x 18	RCI-KTNDAA000 - 401 TO RCI-KTNDAA009 - 401	D-1818-11-D-CB-0 TO D-1818-11-D-CB-9
II) Plain - 1	18 x 18	RCI-KTNPA000 - 401	P-1818-11-D-CB
III) Plain - 2	18 x 27	RCI-KTNPB000 - 401	P-1827-11-D-CB



- NOTE :**
- At Present Double Shot Moulding is Only available in size 1818
 - Dark Colour Key Tops will have White Character and vice Versa.
 - The Engraved /Double shot Character will have to be spelled out in a box at the end.
 - Shade (Light) available in GREY & BLUE colours only.
 - Standard Colour - Black, Red, Grey & Blue. Other Colours also made available on request

FOR EXAMPLE : D - 1818 - 11 - D - CB - 9

Means It is a key Top of 18mm of Double Shot Dark Grey colour Moulded with Character "9" to suit CB (+) type plunger.

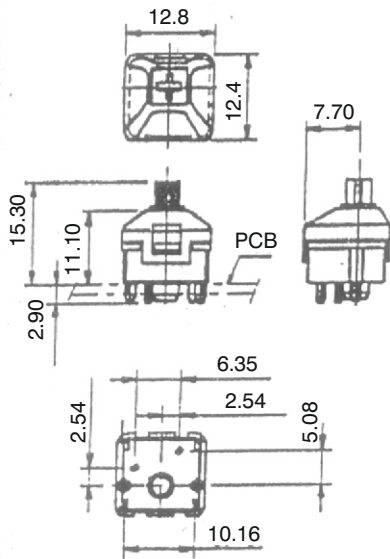
KEY BOARD SWITCHES



Series 13

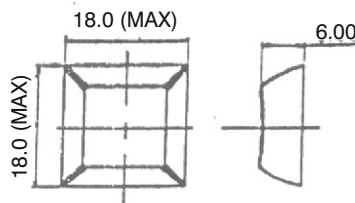
DESCRIPTION

Integral Key Switch Series 13, satisfies the user requirement for a low profile, high quality switch with a smooth tactile feel. The design of the contacts using special copper alloy, ensure a very high force per unit area and reduced susceptibility to contact closure interference from foreign particles.



DIMENSIONAL DETAILS

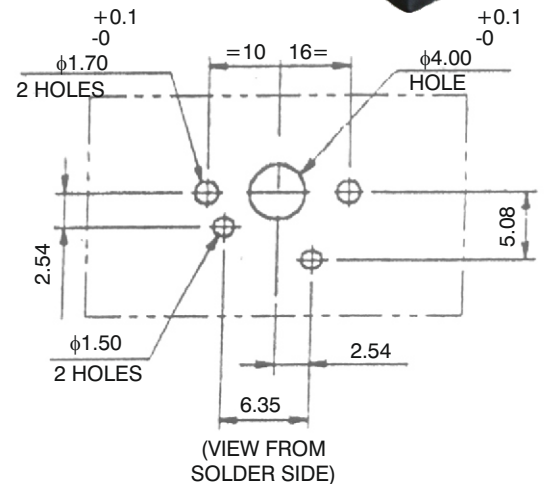
KEY TOP



KEY TOP COLOURS

1. WHITE
2. BLACK
3. RED
4. GREY

Available only in 18 mm



PCB DRILLING DETAILS

All Dimensions in mm.

SPECIFICATIONS :

CONTACT RATING	: 0.1 AMP @ 30 Volts AC/DC
CONTACT RESISTANCE	: <30 milli ohms initial at 2-6 V DC
INSULATION RESISTANCE	: >100 M ohms
INSULATION DIELECTRIC	: 250 V AC (applied for 1 minute)
BOUNCE TIME	: 5 ms or less.
ACTUATING FORCE	: 70 grms.
OPERATING TEMP. RANGE	: -25°C to +85°C
TOTAL TRAVEL	: 4.00
PRETRAVEL	: 2.00 ± 0.60
LIFE	: 20 million cycles @ 12V DC / 1 mA.

MATERIALS & FINISHES

COVER / BASE	: Glass filled PBT (UL approved)
PLUNGER	: Acetal (Delrin)
KEY TOP	: ABS
STATOR & MOVING CONTACTS	: Copper Alloy Hard Silver Plated
SPRING	: Stainless Steel Wire
MOUNTING	: On PCB only



INTEGRAL SYSTEMS AND COMPONENTS PRIVATE LIMITED

D-388/1, 1st Block, 1st Stage, Peenya Industrial Estate, Bangalore - 560 058, India

Telefax: (080) 2839 1707 / 2839 1708 / 2839 1709 / 2839 1710

An ISO 9001:2008 Company Website: www.integralsys.in E-mail: inty.systems@gmail.com / sales@integralsys.in

